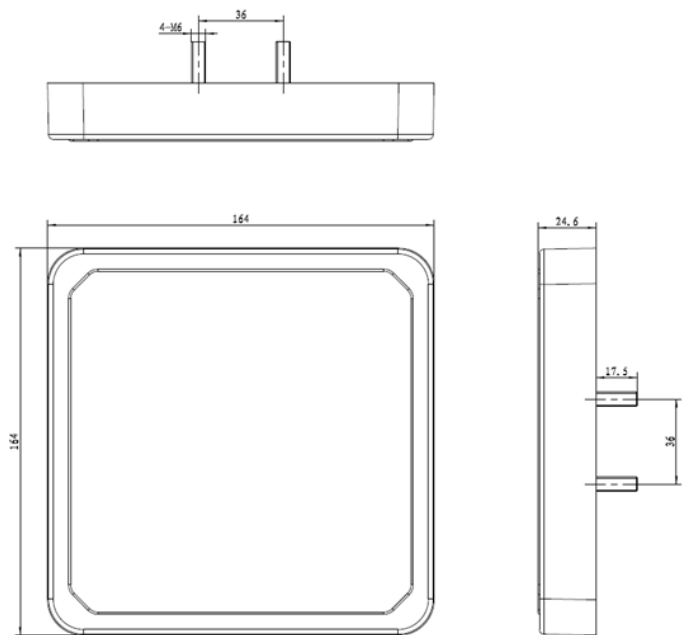


# CL7205C RFID Antenna

## Near area range design



Reading distance could be controlled within 30cm for special application.

**SPECIFICATIONS:**

<b>Physical</b>	
Size:	164mm*164mm*24.6mm
Weight:	400g
Housing Material:	Aluminum + Engineering plastic ASA
Protection level:	IP66
<b>Performance</b>	
Frequency:	840-930MHz adjustable
Gain	8 dBi
"H" beam angle	10°
"E" beam angle	10°
Front-back	≥20 dB
Polarization	Right Circular or Left Circular
Impedance	50 (Ω)
VSWR	<1.8:1
Maximum Input Power	2W
Connector	SMA- male or Customizable
IM.3rd Order(2x43dBm)	<-150dBc
Lightning Protection	DC to ground
<b>Operational Environment</b>	
Working Temperature:	-20 - +70°C
Storage Temperature:	-40 - +85°C
Atmospheric Pressure:	86kPa ~ 108kPa
Relative Humidity:	5%-95% RH no condensing